



# Without Warning Contact, Common Ground

## Technical Data

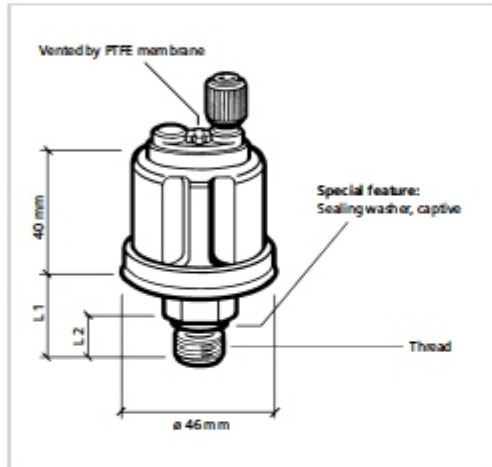
Rated voltage:  
6 V to 24 V

Overpressure safety:  
30 bar, 40 bar or 50 bar max.  
(short periods only for 2 sec)

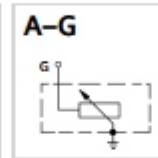
Operating temperature:  
-25° C to +100° C  
(up to +120° C for 1 hour max.  
at threaded connector)

Resistance range:  
10 Ω to 184 Ω

## Dimensions



## Circuit Diagram



## Article No.

Article No.	Quantity	Pressure	Thread	L1 [mm]	L2 [mm]	Feature
360-081-029-001C	3	-	M10 x1 con. short	19.5	11	A
360-081-029-001K	3	-	M10 x1 con. short	19.5	11	A
360-081-029-004C	5	-	1/8 - 27 NPTF	19.5	11	A
360-081-029-008C	5	-	1/4 - 18 NPTF	23.8	15.3	A
360-081-029-010C	10	-	M10 x1 con. short	19.5	11	A
360-081-029-010K	10	-	M10 x1 con. short	19.5	11	A
360-081-029-012C	10	-	1/8 - 27 NPTF	19.5	11	A
360-081-029-012K	10	-	1/8 - 27 NPTF	19.5	11	A
360-081-029-013C	10	-	M12 x 1.5	20.5	12	A
360-081-029-013K	10	-	M12 x 1.5	20.5	12	A
360-081-029-020C	10	-	1/4 - 18 NPTF	23.8	15.3	A
360-081-029-025C	5	-	M18 x 1.5	20.5	12	A
360-081-029-025K	5	-	M18 x 1.5	20.5	12	A
360-081-029-026C	5	-	M14 x 1.5	20.5	12	A
360-081-029-026K	5	-	M14 x 1.5	20.5	12	A
360-081-029-033C	10	-	M14 x 1.5	20.5	12	A
360-081-029-038C	10	-	M14 x 1.5	20.5	12	D
360-081-029-041C	5	-	1/8 - 27 NPTF	19.5	11	E
360-081-029-042C	10	-	1/8 - 27 NPTF	19.5	11	D
360-081-029-059C	5	-	M18 x 1.5	20.5	12	B
360-081-029-062C	10	-	R 1/8 DIN 2999	19.5	11	D
360-081-029-065C	5	-	M14 x 1.5	25.5	12	B
360-081-029-085C	5	-	M12 x 1.5	20.5	12	A
360-081-029-087C	3	-	M12 x 1.5	20.5	12	F
360-081-032-004C	10	-	M12 x 1.5	20.5	12	A
360-081-032-067C	10	-	1/8 - 27 NPTF	19.5	10	F
360-081-037-003C	25	-	M18 x 1.5	20.8	12	E
360-081-037-006C	16	-	M14 x 1.5	20.5	12	B
360-081-037-007C	16	-	1/8 - 27 NPTF	20.5	12	E
360-081-037-008C	25	-	M10 x1 con. short	19.5	11	D
360-081-037-010C	25	-	1/8 - 27 NPTF	20.5	11	E
360-081-037-011C	25	-	M10 x1 con. short	19.5	11	D
360-081-037-013C	25	-	M14 x 1.5	20.5	12	E
360-081-037-017C	25	-	M14 x 1.5	20.5	12	E
360-081-037-018C	25	-	M18 x 1.5	20.5	12	E
360-081-037-019C	16	-	M12 x 1.5	20.5	12	B
360-081-038-008C	400 PSI	-	1/8 - 27 NPTF	n/a	11	A
360-081-052-003C	3	-	M12 x 1.5	20.5	12	G
360-094-001-002C	10	-	R 1/8 Din 2999	19.5	11	A
362-081-002-003C	400 PSI	-	1/8 - 27 NPTF	n/a	10	A

## Type of Connection

